



# Low-Voltage, CMOS Analog Multiplexers/Switches

MAX4581L/MAX4582L/MAX4583L

## General Description

The MAX4581L/MAX4582L/MAX4583L are low-voltage, CMOS analog ICs configured as an 8-channel multiplexer (MAX4581L), two 4-channel multiplexers (MAX4582L), and three single-pole/double-throw (SPDT) switches (MAX4583L).

These CMOS devices operate with a +2V to +12V single supply. Each switch can handle rail-to-rail analog signals. Off-leakage current is only 2nA at +25°C.

All digital inputs have 0.8V to 2.0V logic thresholds to ensure TTL/CMOS-logic compatibility when using a +12V supply.

## Applications

- Audio and Video Signal Routing
- Data-Acquisition Systems
- Communications Circuits
- Automotive
- DSL Modem

## Features

- ◆ +3V Logic-Compatible Inputs ( $V_{IH} = 2.0V$ ,  $V_{IL} = 0.8V$ )
- ◆ Guaranteed On-Resistance: 80Ω with +12V Supply
- ◆ Guaranteed 4Ω On-Resistance Match Between Channels
- ◆ Guaranteed Low Off-Leakage Current: 2nA at +25°C
- ◆ Guaranteed Low On-Leakage Current: 2nA at +25°C
- ◆ +2V to +12V Supply Operation
- ◆ TTL/CMOS-Logic Compatible
- ◆ Low Crosstalk: -96dB (MAX4582L)
- ◆ High Off-Isolation: -90dB
- ◆ Tiny 4mm × 4mm Thin QFN Package
- ◆ Pin Compatible with Industry-Standard 74HC4051/74HC4052/74HC4053 and MAX4051/MAX4052/MAX4053

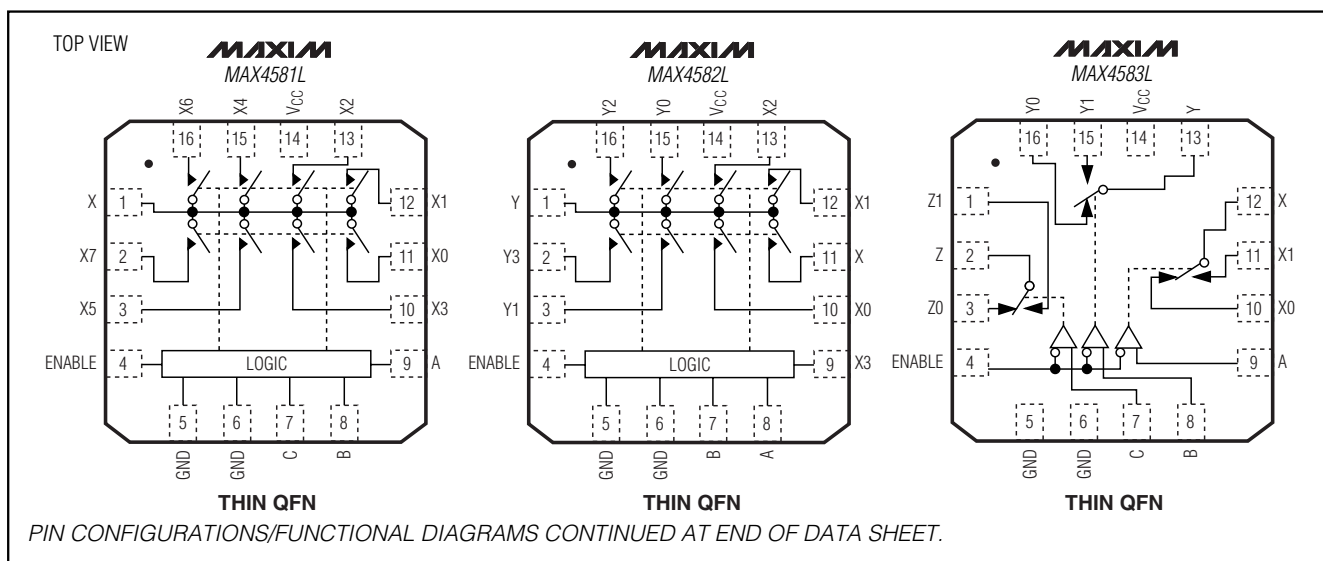
## Ordering Information

PART	TEMP RANGE	PIN-PACKAGE
MAX4581LESE	-40°C to +85°C	16 Narrow SO
MAX4581LEEE	-40°C to +85°C	16 QSOP
MAX4581LETE	-40°C to +85°C	16 TQFN-EP* (4mm x 4mm)

Ordering Information continued at end of data sheet.

\*EP = Exposed pad.

## Pin Configurations/Functional Diagrams



# Low-Voltage, CMOS Analog Multiplexers/Switches

## ABSOLUTE MAXIMUM RATINGS

(All Voltages Referenced to GND, Unless Otherwise Noted.)  
 $V_{CC}$  ..... -0.3V to +13V  
 Voltage At Any Pin (Note 1) ..... (GND - 0.3V) to ( $V_{CC}$  + 0.3V)  
 Continuous Current into Any Terminal .....  $\pm 20$ mA  
 Peak Current  $X_{-}$ ,  $Y_{-}$  or  $Z_{-}$   
 (pulsed at 1ms, 10% duty cycle) .....  $\pm 40$ mA  
 ESD per Method 3015.7 ..... >2000V

Continuous Power Dissipation ( $T_A = +70^{\circ}\text{C}$ )  
 16-Pin Narrow SO (derate 8.7mW/ $^{\circ}\text{C}$  above  $+70^{\circ}\text{C}$ ) ... 696mW  
 16-Pin QSOP (derate 8.3mW/ $^{\circ}\text{C}$  above  $+70^{\circ}\text{C}$ ) ..... 667mW  
 16-Pin Thin QFN (derate 16.9mW/ $^{\circ}\text{C}$  above  $+70^{\circ}\text{C}$ ) .1349mW  
 Operating Temperature Range .....  $-40^{\circ}\text{C}$  to  $+85^{\circ}\text{C}$   
 Storage Temperature Range .....  $-65^{\circ}\text{C}$  to  $+150^{\circ}\text{C}$   
 Junction Temperature .....  $+150^{\circ}\text{C}$   
 Lead Temperature (soldering, 10s) .....  $+300^{\circ}\text{C}$

**Note 1:** Voltages exceeding  $V_{CC}$  or GND on any signal terminal are clamped by internal diodes. Limit forward-diode current to maximum current rating.

Stresses beyond those listed under "Absolute Maximum Ratings" may cause permanent damage to the device. These are stress ratings only, and functional operation of the device at these or any other conditions beyond those indicated in the operational sections of the specifications is not implied. Exposure to absolute maximum rating conditions for extended periods may affect device reliability.

## ELECTRICAL CHARACTERISTICS

( $V_{CC} = +12\text{V} \pm 5\%$ ,  $V_{LH} = 2.0\text{V}$ ,  $V_{LL} = 0.8\text{V}$ ,  $T_A = T_{MIN}$  to  $T_{MAX}$ , unless otherwise noted. Typical values are at  $T_A = +25^{\circ}\text{C}$ .) (Notes 2, 3)

PARAMETER	SYMBOL	CONDITIONS	TEMP	MIN	TYP (NOTE 3)	MAX	UNITS
<b>ANALOG SWITCH</b>							
Analog Signal Range	$V_X, V_Y, V_Z$		$-40^{\circ}\text{C}$ to $+85^{\circ}\text{C}$	0		$V_{CC}$	V
Switch On-Resistance	$R_{ON}$	$V_{CC} = 11.4\text{V}$ ; $I_X, I_Y, I_Z = 1\text{mA}$ ; $V_X, V_Y, V_Z = 10\text{V}$	$+25^{\circ}\text{C}$ $-40^{\circ}\text{C}$ to $+85^{\circ}\text{C}$		50	80 100	$\Omega$
Switch On-Resistance Match Between Channels	$\Delta R_{ON}$	$V_{CC} = 11.4\text{V}$ ; $I_X, I_Y, I_Z = 1\text{mA}$ ; $V_X, V_Y, V_Z = 10\text{V}$ (Note 4)	$+25^{\circ}\text{C}$ $-40^{\circ}\text{C}$ to $+85^{\circ}\text{C}$		1	4 5	$\Omega$
Switch On-Resistance Flatness	$R_{FLAT(ON)}$	$V_{CC} = 11.4\text{V}$ ; $I_X, I_Y, I_Z = 1\text{mA}$ ; $V_{X-}, V_{Y-}, V_{Z-} = 1.5\text{V}, 6\text{V}, 10\text{V}$ (Note 5)	$+25^{\circ}\text{C}$ $-40^{\circ}\text{C}$ to $+85^{\circ}\text{C}$		5	12 15	$\Omega$
$X_{-}, Y_{-}, Z_{-}$ Off-Leakage	$I_{X(OFF)}, I_{Y(OFF)}, I_{Z(OFF)}$	$V_{CC} = 12.6\text{V}$ ; $V_{X-}, V_{Y-}, V_{Z-} = 1\text{V}, 10\text{V}$ ; $V_X, V_Y, V_Z = 10\text{V}, 1\text{V}$ (Note 6)	$+25^{\circ}\text{C}$ $-40^{\circ}\text{C}$ to $+85^{\circ}\text{C}$	-2 -10		+2 +10	nA
$X, Y, Z$ Off-Leakage	$I_{X(OFF)}, I_{Y(OFF)}, I_{Z(OFF)}$	$V_{CC} = 12.6\text{V}$ ; $V_{X-}, V_{Y-}, V_{Z-} = 1\text{V}, 10\text{V}$ ; $V_X, V_Y, V_Z = 10\text{V}, 1\text{V}$ (Note 6)	MAX4581L	$+25^{\circ}\text{C}$ $-40^{\circ}\text{C}$ to $+85^{\circ}\text{C}$	-2 -100	+2 +100	nA
			MAX4582L/ MAX4583L	$+25^{\circ}\text{C}$ $-40^{\circ}\text{C}$ to $+85^{\circ}\text{C}$	-2 -50	+2 +50	
$X, Y, Z$ On-Leakage	$I_{X(ON)}, I_{Y(ON)}, I_{Z(ON)}$	$V_{CC} = 12.6\text{V}$ ; $V_X, V_Y, V_Z = 10\text{V}, 1\text{V}$ (Note 6)	MAX4581L	$+25^{\circ}\text{C}$ $-40^{\circ}\text{C}$ to $+85^{\circ}\text{C}$	-2 -100	+2 +100	nA
			MAX4582L/ MAX4583L	$+25^{\circ}\text{C}$ $-40^{\circ}\text{C}$ to $+85^{\circ}\text{C}$	-2 -50	+2 +50	

# Low-Voltage, CMOS Analog Multiplexers/Switches

MAX4581L/MAX4582L/MAX4583L

## ELECTRICAL CHARACTERISTICS (continued)

( $V_{CC} = +12V \pm 5\%$ ,  $V_{H} = 2.0V$ ,  $V_{L} = 0.8V$ ,  $T_A = T_{MIN}$  to  $T_{MAX}$ , unless otherwise noted. Typical values are at  $T_A = +25^\circ C$ .) (Notes 2, 3)

PARAMETER	SYMBOL	CONDITIONS	TEMP	MIN	TYP (NOTE 3)	MAX	UNITS
<b>DIGITAL I/O (INH, ADD_)</b>							
Logic Input High Threshold	$V_{AH}, V_{BH}, V_{CH}, V_{ENABLE\_H}$		$-40^\circ C$ to $+85^\circ C$		1.5	2.0	V
Logic Input Low Threshold	$V_{AL}, V_{BL}, V_{CL}, V_{ENABLE\_L}$		$-40^\circ C$ to $+85^\circ C$	0.8	1.5		V
Input Current High	$I_{AH}, I_{BH}, I_{CH}, I_{ENABLE\_H}$	$V_A, V_B, V_C, V_{ENABLE} = 2.0V$	$+25^\circ C$	-1		+1	$\mu A$
Input Current Low	$I_{AL}, I_{BL}, I_{CL}, I_{ENABLE\_L}$	$V_A, V_B, V_C, V_{ENABLE} = 0.8V$	$+25^\circ C$	-1		+1	$\mu A$
<b>SWITCH DYNAMIC CHARACTERISTICS</b>							
Enable Turn-On Time	$t_{ON}$	$V_{X\_}, V_{Y\_}, V_{Z\_} = 10V,$ $R_L = 300\Omega,$ $C_L = 35pF,$ Figure 1	$+25^\circ C$	100	200	ns	
			$-40^\circ C$ to $+85^\circ C$		200		
Enable Turn-Off Time	$t_{OFF}$	$V_{X\_}, V_{Y\_}, V_{Z\_} = 10V,$ $R_L = 300\Omega,$ $C_L = 35pF,$ Figure 1	$+25^\circ C$	40	100	ns	
			$-40^\circ C$ to $+85^\circ C$		150		
Address Transition Time	$t_{TRANS}$	$V_{X\_}, V_{Y\_}, V_{Z\_} = 10V,$ $R_L = 300\Omega,$ $C_L = 35pF,$ Figure 2	$+25^\circ C$	90	200	ns	
			$-40^\circ C$ to $+85^\circ C$		200		
Break-Before-Make Time	$t_{BBM}$	$V_{X\_}, V_{Y\_}, V_{Z\_} = 10V,$ $R_L = 300\Omega,$ $C_L = 35pF,$ Figure 3	$-40^\circ C$ to $+85^\circ C$		20		ns
Charge Injection (Note 7)	Q	$C_L = 1nF, R_S = 0\Omega, V_S = 0V,$ Figure 4	$+25^\circ C$		0.5		pC
Input Off-Capacitance	$C_{X(OFF)}, C_{Y(OFF)}, C_{Z(OFF)}$	$V_{X\_}, V_{Y\_}, V_{Z\_} = 0V,$ $f = 1MHz,$ Figure 5	$+25^\circ C$		4		pF
Output Off-Capacitance	$C_{X(OFF)}, C_{Y(OFF)}, C_{Z(OFF)}$	$V_{X\_}, V_{Y\_}, V_{Z\_} = 0V,$ $f = 1MHz,$ Figure 5	$+25^\circ C$	MAX4581L	18	pF	
				MAX4582L	10		
				MAX4583L	6		
Output On-Capacitance	$C_{X(OFF)}, C_{Y(OFF)}, C_{Z(OFF)}$	$V_{X\_}, V_{Y\_}, V_{Z\_} = 0V,$ $f = 1MHz,$ Figure 5	$+25^\circ C$	MAX4581L	25	pF	
				MAX4582L	17		
				MAX4583L	12.5		

# Low-Voltage, CMOS Analog Multiplexers/Switches

## ELECTRICAL CHARACTERISTICS (continued)

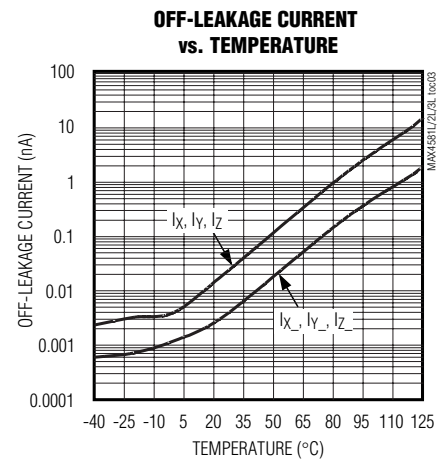
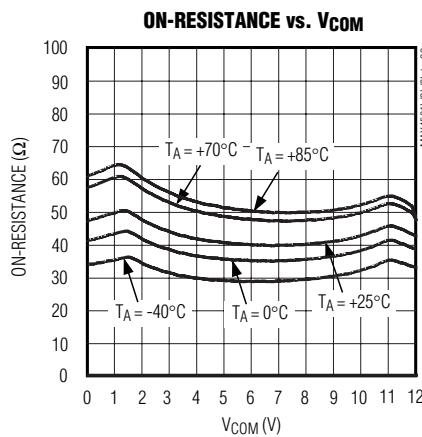
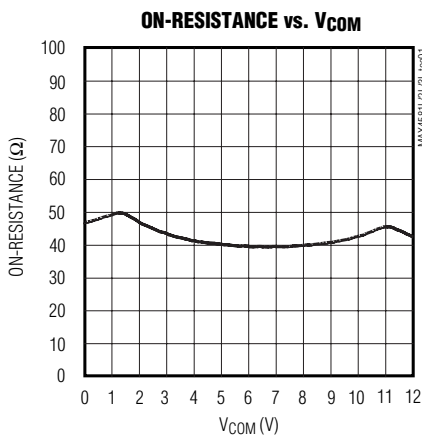
( $V_{CC} = +12V \pm 5\%$ ,  $V_{H} = 2.0V$ ,  $V_{L} = 0.8V$ ,  $T_A = T_{MIN}$  to  $T_{MAX}$ , unless otherwise noted. Typical values are at  $T_A = +25^\circ C$ .) (Notes 2, 3)

PARAMETER	SYMBOL	CONDITIONS	TEMP	MIN	TYP (NOTE 3)	MAX	UNITS
Off-Isolation	$V_{ISO}$	$R_L = 50\Omega$ , $f = 1MHz$ (Figure 7)	$+25^\circ C$		-90		dB
Channel-to-Channel Crosstalk	$V_{CT}$	$R_L = 50\Omega$ , $f = 1MHz$ (Figure 7)	$+25^\circ C$		-96		dB
Total Harmonic Distortion	THD	$R_L = 600\Omega$ , $V_{X\_}$ or $V_{Y\_}$ or $V_{Z\_} = 5V_{P-P}$ , $f = 20Hz$ to $20kHz$	$+25^\circ C$		0.02		%
<b>POWER SUPPLY</b>							
Power-Supply Range	$V_{CC}$			2		12.6	V
Power-Supply Current	$I_{CC}$	$V_{CC} = 12.6V$ ; $V_A, V_B, V_Z,$ $V_{ENABLE} = V_{CC}$ or $0V$	$+25^\circ C$	-1		+1	$\mu A$
			$-40^\circ C$ to $+85^\circ C$	-10		+10	

- Note 2:** Thin QFN packages are production tested at  $T_A = +85^\circ C$ . Limits over temperature are guaranteed by design.
- Note 3:** The algebraic convention used in this data sheet is where the most negative value is the minimum column.
- Note 4:**  $\Delta RON = RON(MAX) - RON(MIN)$ .
- Note 5:** Flatness is defined as the difference between the maximum and minimum value of on-resistance as measured over the specified analog signal ranges.
- Note 6:** Leakage parameters are 100% tested at the maximum-rated hot operating temperature and guaranteed by design at  $T_A = +25^\circ C$ .
- Note 7:** Guaranteed by design, not production tested.

## Typical Operating Characteristics

( $V_{CC} = 12V$ ,  $V_{EN} = GND$ ,  $T_A = +25^\circ C$ , unless otherwise noted.)

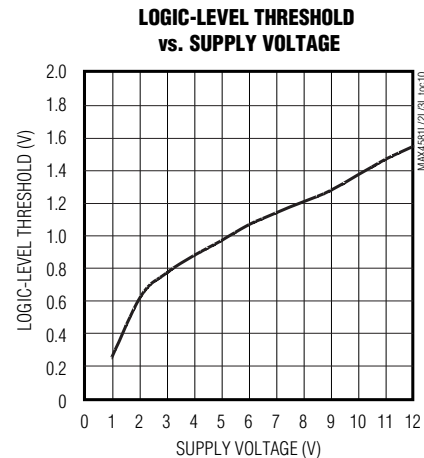
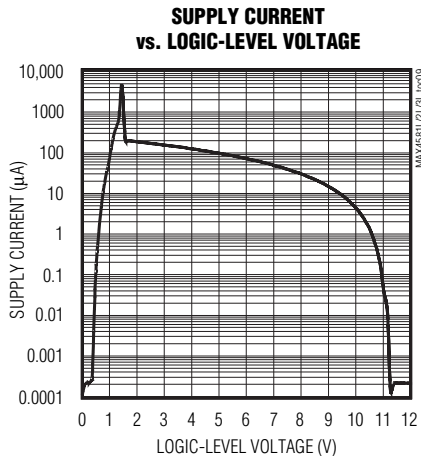
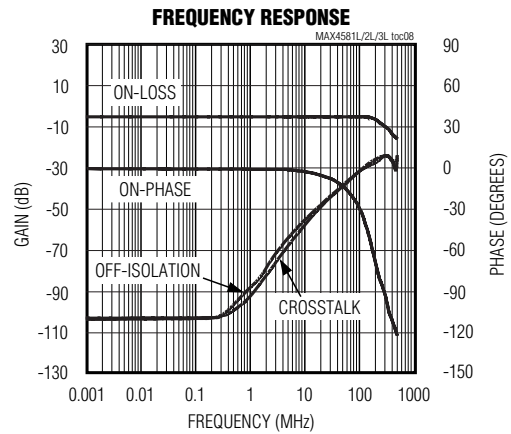
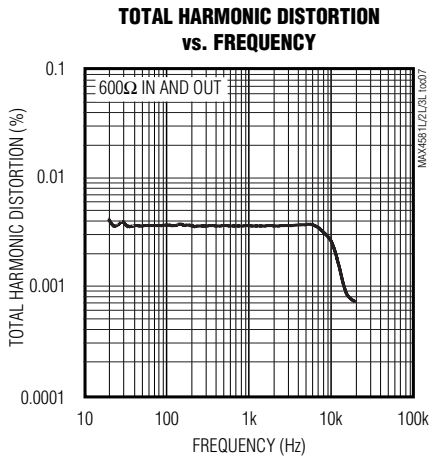
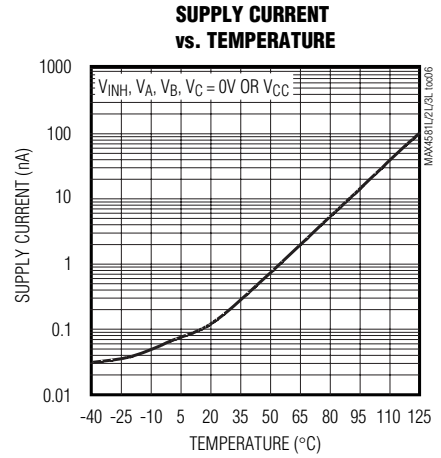
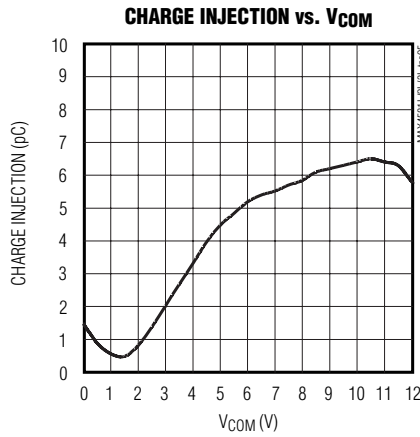
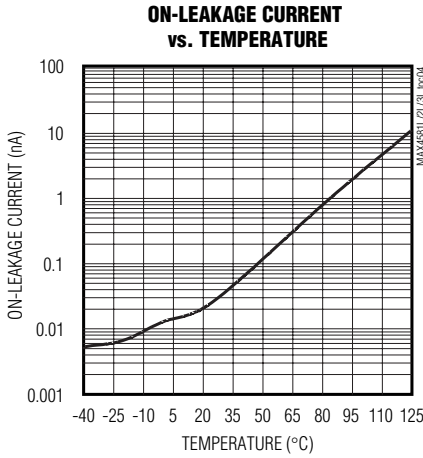


# Low-Voltage, CMOS Analog Multiplexers/Switches

## Typical Operating Characteristics (continued)

( $V_{CC} = 12V$ ,  $V_{EN} = GND$ ,  $T_A = +25^\circ C$ , unless otherwise noted.)

MAX4581L/MAX4582L/MAX4583L



# Low-Voltage, CMOS Analog Multiplexers/Switches

## Pin Description

PIN						NAME	FUNCTION
MAX4581L		MAX4582L		MAX4583L			
SO/QSOP	QFN	SO/QSOP	QFN	SO/QSOP	QFN		
1, 2, 4, 5, 12–15	2, 3, 10–13, 15, 16	—	—	—	—	X0–X7	Analog Switch Inputs 0–7
3	1	13	11	14	12	X	Analog Switch X Output
6	4	6	4	6	4	Enable	Digital Enable Input. Drive enable low or connect to GND for normal operation.
7, 8	5, 6	7, 8	5, 6	7, 8	5, 6	GND	Ground. Connect to digital ground. (Analog signals have no ground reference; they are limited to V <sub>CC</sub> .)
9	7	—	—	9	7	C	Digital Address C Input
10	8	9	7	10	8	B	Digital Address B Input
11	9	10	8	11	9	A	Digital Address A Input
16	14	16	14	16	14	V <sub>CC</sub>	Positive Analog and Digital Supply Voltage Input. Bypass with a 0.1µF capacitor to GND.
—	—	11, 12, 14, 15,	9, 10, 12, 13	—	—	X0–X3	Analog Switch X Inputs 0–3
—	—	1, 2, 4, 5	2, 3, 15, 16	—	—	Y0–Y3	Analog Switch Y Inputs 0–3
—	—	3	1	15	13	Y	Analog Switch Y Output
—	—	—	—	13	11	X1	Analog Switch X Normally Open Input
—	—	—	—	12	10	X0	Analog Switch X Normally Closed Input
—	—	—	—	1	15	Y1	Analog Switch Y Normally Open Input
—	—	—	—	2	16	Y0	Analog Switch Y Normally Closed Input
—	—	—	—	3	1	Z1	Analog Switch Z Normally Open Input
—	—	—	—	5	3	Z0	Analog Switch Z Normally Closed Input
—	—	—	—	4	2	Z	Analog Switch Z Output
—	EP	—	EP	—	EP	Exposed Pad	Bottom of QFN package only. Contains an exposed pad that must be connected externally to V <sub>CC</sub> .

**Note:** Input and output pins are identical and interchangeable. Any may be considered an input or output; signals pass equally well in both directions.

# Low-Voltage, CMOS Analog Multiplexers/Switches

## Detailed Description

The MAX4581L/MAX4582L/MAX4583L are low-voltage, CMOS analog ICs that operate from a single supply of +2V to +12V. The MAX4581L is configured as an 8-channel multiplexer, the MAX4582L as two 4-channel multiplexers, and the MAX4583L as three single-pole/double-throw (SPDT) switches. These devices can handle rail-to-rail analog signals with only 2nA of off-leakage current at +25°C.

The MAX4581L/MAX4582L/MAX4583L are TTL/CMOS-logic compatible with 0.8V to 2.0V logic thresholds for all digital inputs when operating from a +12V supply.

## Applications Information

### Power-Supply Considerations

The MAX4581L/MAX4582L/MAX4583Ls' construction is typical of most CMOS analog switches. The supply input, V<sub>CC</sub>, is used to power the internal CMOS switches and sets the limit of the analog voltage on any switch. Reverse ESD protection diodes are internally connected between each analog signal pin and both V<sub>CC</sub> and GND. If any analog signal exceeds V<sub>CC</sub> or goes below GND, one of these diodes conducts. During normal operation, these reverse-biased ESD diodes leak, causing the only current drawn from V<sub>CC</sub> or GND. Virtually all the analog leakage current comes from the ESD diodes. Although the ESD diodes on a given signal pin are identical, and therefore fairly well balanced, they are reverse biased differently by either

V<sub>CC</sub> or GND and the analog signal. This means that leakage varies as the analog signal varies. The difference in the two diodes' leakage to V<sub>CC</sub> and GND constitutes the analog signal-path leakage current. Because there is no connection between the analog signal paths and GND, all analog leakage current flows between each pin and one of the supply terminals, not to the other switch terminal. Because of this, both sides of a given switch can show leakage currents of either the same or opposite polarity.

V<sub>CC</sub> and GND power the internal logic and logic-level translators, and set both the input and output logic limits. The logic-level translators convert the logic levels into switched V<sub>CC</sub> and GND signals to drive the gates of the analog switches. This drive signal is the only connection between the logic supplies (and signals) and the analog supplies. The logic-level thresholds are TTL/CMOS compatible when V<sub>CC</sub> is +12V.

### Overvoltage Protection

Proper power-supply sequencing is recommended for all CMOS devices. Do not exceed the absolute maximum ratings because stresses beyond the listed ratings can cause permanent damage to the devices. Always sequence V<sub>CC</sub> first, followed by the logic inputs and analog signals.

### Pin Nomenclature

The MAX4581L/MAX4582L/MAX4583L are pin compatible with the industry-standard 74HC4051/74HC4052/74HC4053 and the MAX4051/MAX4052/MAX4053.

**Table 1. Truth Table/Switch Programming**

ENABLE INPUT	SELECT INPUTS			ON SWITCHES		
	C*	B	A	MAX4581L	MAX4582L	MAX4583L
H	X	X	X	All switches open	All switches open	All switches open
L	L	L	L	X-X0	X-X0, Y-Y0	X-X0, Y-Y0, Z-Z0
L	L	L	H	X-X1	X-X1, Y-Y1	X-X1, Y-Y0, Z-Z0
L	L	H	L	X-X2	X-X2, Y-Y2	X-X0, Y-Y1, Z-Z0
L	L	H	H	X-X3	X-X3, Y-Y3	X-X1, Y-Y1, Z-Z0
L	H	L	L	X-X4	X-X0, Y-Y0	X-X0, Y-Y0, Z-Z1
L	H	L	H	X-X5	X-X1, Y-Y1	X-X1, Y-Y0, Z-Z1
L	H	H	L	X-X6	X-X2, Y-Y2	X-X0, Y-Y1, Z-Z1
L	H	H	H	X-X7	X-X3, Y-Y3	X-X1, Y-Y1, Z-Z1

X = Don't care.

\*C not present on MAX4582L.

**Note:** Input and output pins are identical and interchangeable. Either may be considered an input or output; signals pass equally well in either direction.

# Low-Voltage, CMOS Analog Multiplexers/Switches

## Test Circuits/Timing Diagrams

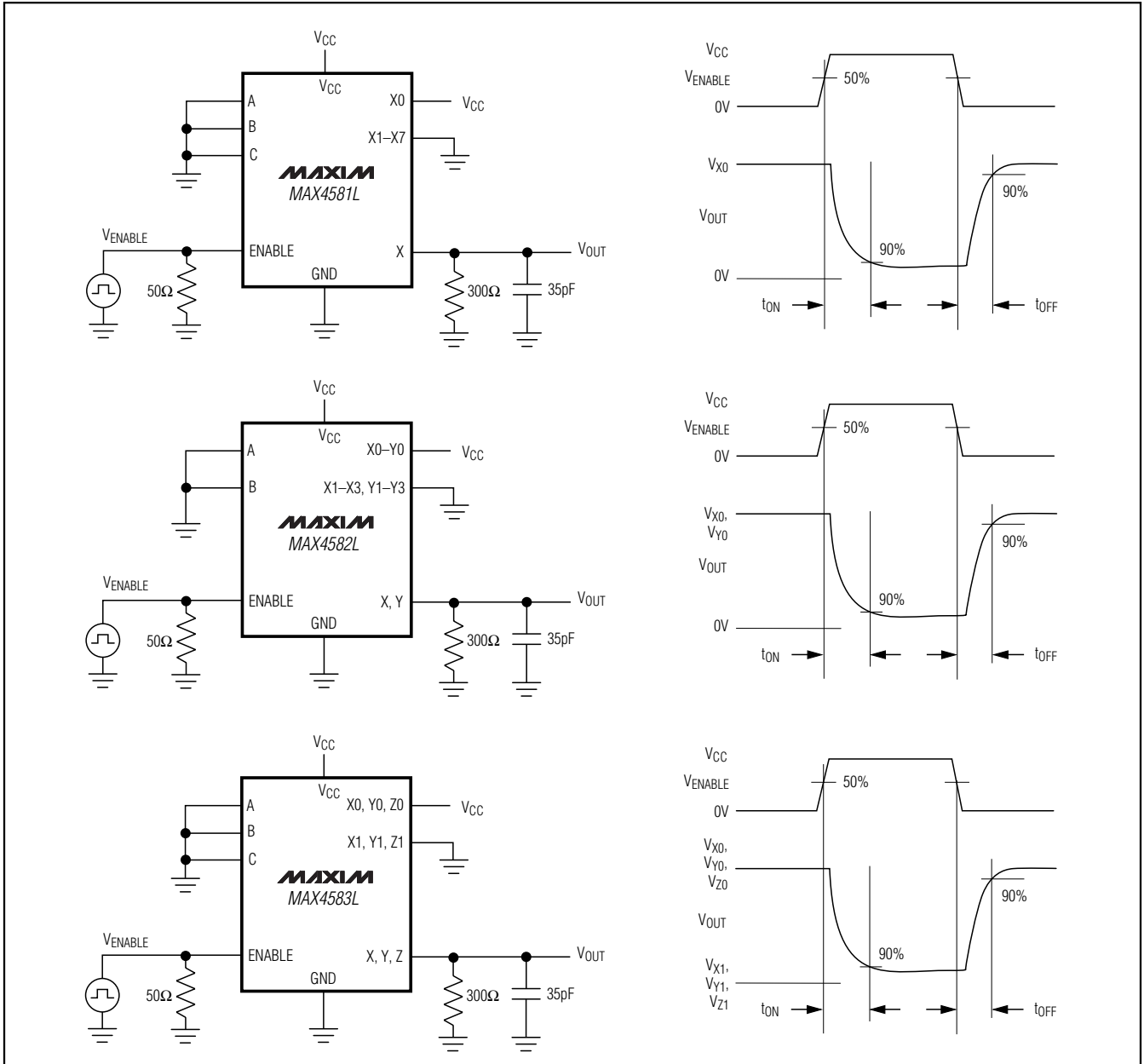


Figure 1. Enable Switching Times



# Low-Voltage, CMOS Analog Multiplexers/Switches

**MAX4581L/MAX4582L/MAX4583L**

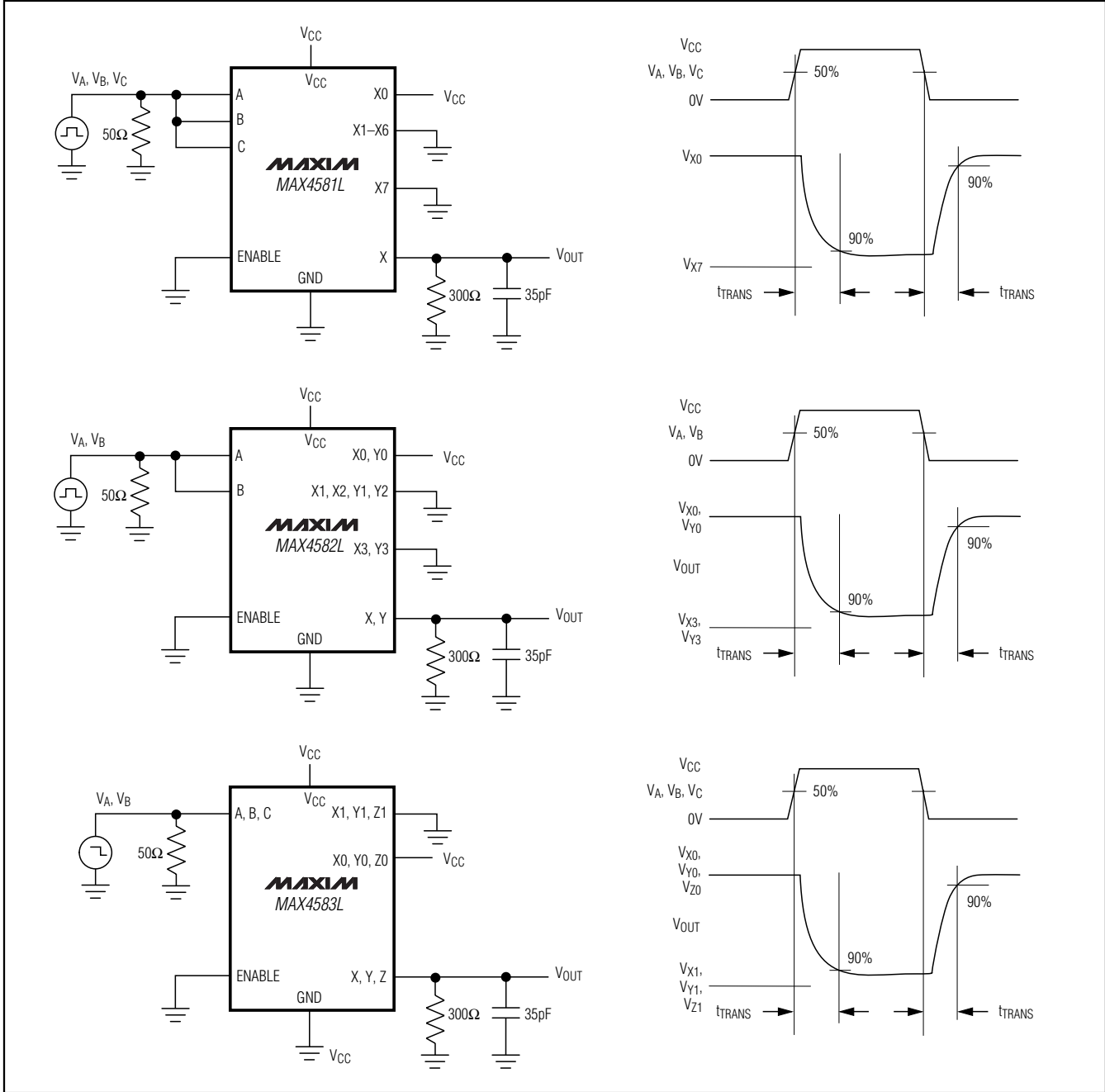


Figure 2. Address Transition Time

# Low-Voltage, CMOS Analog Multiplexers/Switches

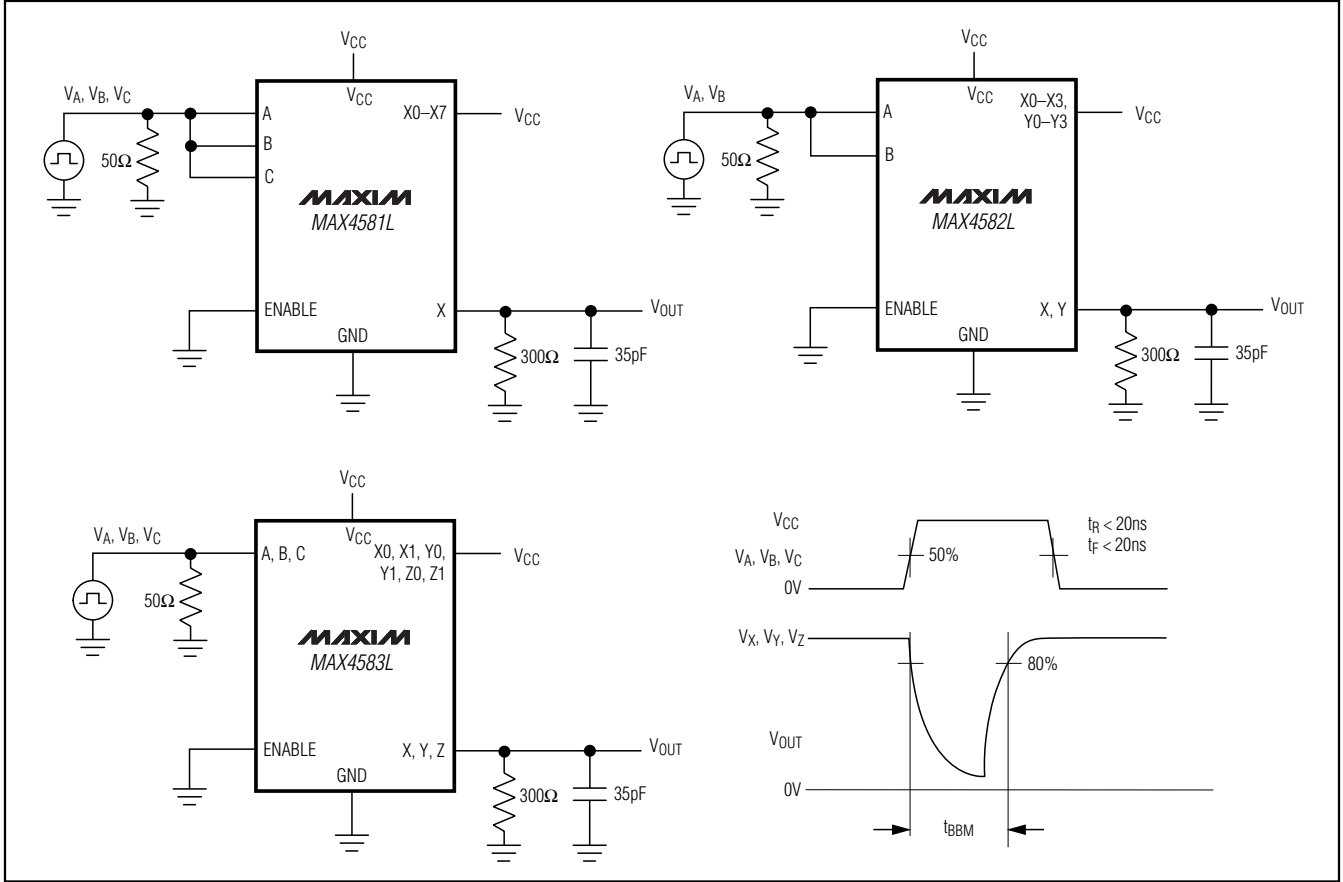


Figure 3. Break-Before-Make Interval

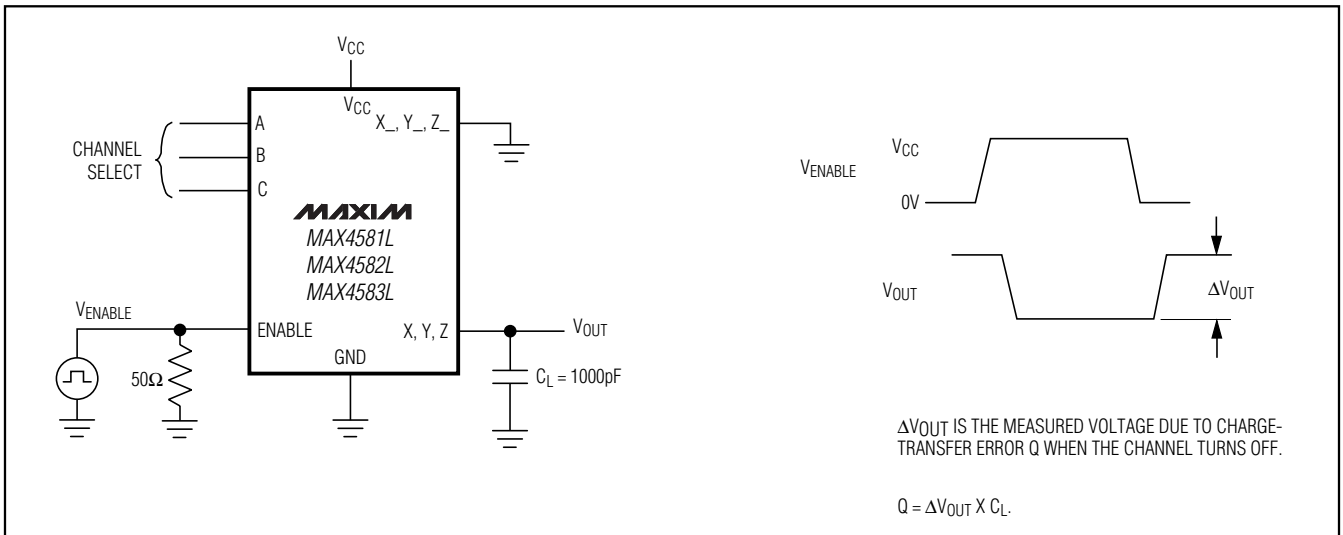


Figure 4. Charge Injection

# Low-Voltage, CMOS Analog Multiplexers/Switches

MAX4581L/MAX4582L/MAX4583L

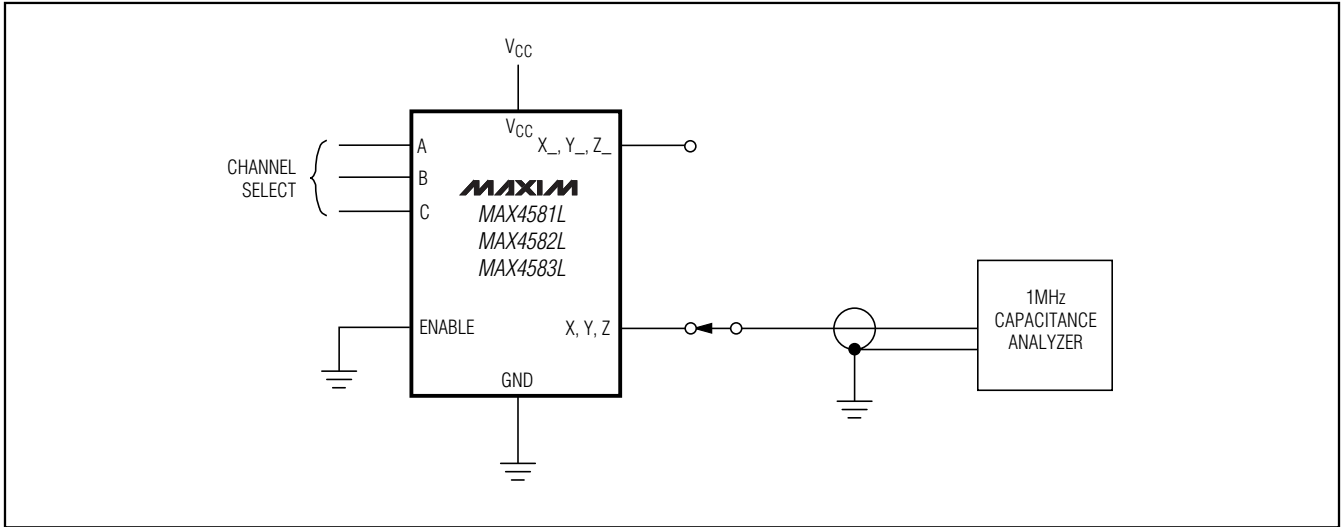


Figure 5. NO/COM Capacitance

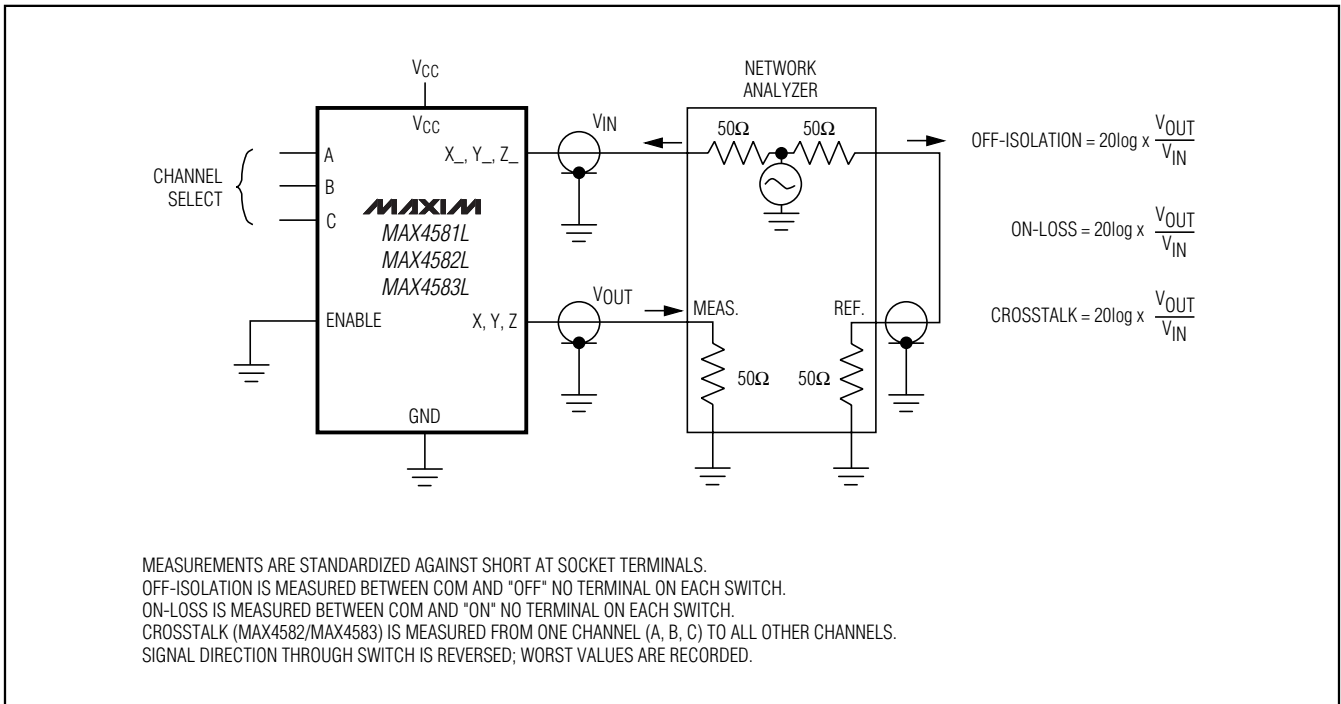
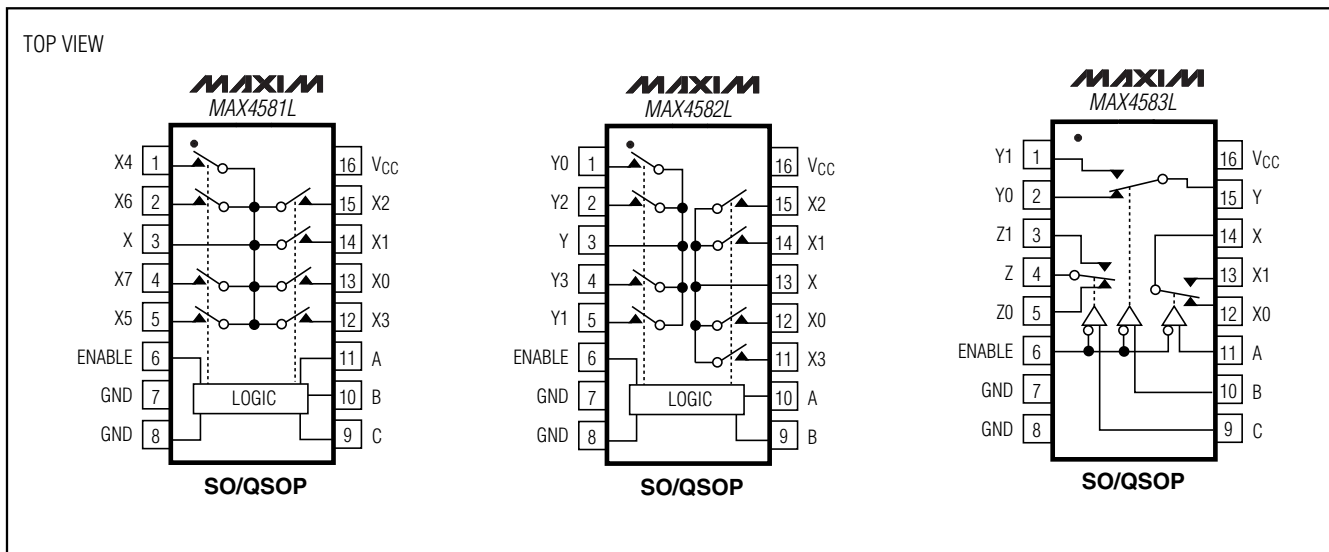


Figure 6. Off-Isolation, On-Loss, and Crosstalk

# Low-Voltage, CMOS Analog Multiplexers/Switches

## Pin Configurations/Functional Diagrams (continued)



### Ordering Information (continued)

PART	TEMP RANGE	PIN-PACKAGE
MAX4582LESE	-40°C to +85°C	16 Narrow SO
MAX4582LEEE	-40°C to +85°C	16 QSOP
MAX4582LETE	-40°C to +85°C	16 TQFN-EP* (4mm x 4mm)
MAX4583LESE	-40°C to +85°C	16 Narrow SO
MAX4583LEEE	-40°C to +85°C	16 QSOP
MAX4583LETE	-40°C to +85°C	16 TQFN-EP* (4mm x 4mm)

\*EP = Exposed pad.

### Chip Information

TRANSISTOR COUNT: 219  
PROCESS: CMOS

### Revision History

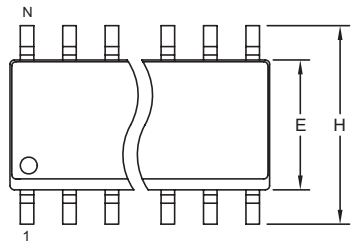
Pages changed at Rev 1: 1, 6, 12, 16

# Low-Voltage, CMOS Analog Multiplexers/Switches

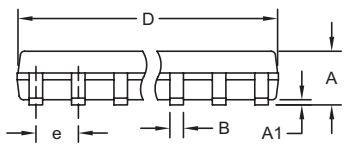
## Package Information

(The package drawing(s) in this data sheet may not reflect the most current specifications. For the latest package outline information go to [www.maxim-ic.com/packages](http://www.maxim-ic.com/packages).)

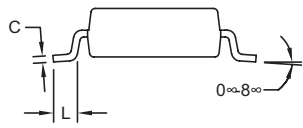
MAX4581L/MAX4582L/MAX4583L



TOP VIEW



FRONT VIEW



SIDE VIEW

DIM	INCHES		MILLIMETERS	
	MIN	MAX	MIN	MAX
A	0.053	0.069	1.35	1.75
A1	0.004	0.010	0.10	0.25
B	0.014	0.019	0.35	0.49
C	0.007	0.010	0.19	0.25
e	0.050 BSC		1.27 BSC	
E	0.150	0.157	3.80	4.00
H	0.228	0.244	5.80	6.20
L	0.016	0.050	0.40	1.27

VARIATIONS:

DIM	INCHES		MILLIMETERS		N	MS012
	MIN	MAX	MIN	MAX		
D	0.189	0.197	4.80	5.00	8	AA
D	0.337	0.344	8.55	8.75	14	AB
D	0.386	0.394	9.80	10.00	16	AC

**NOTES:**

1. D&E DO NOT INCLUDE MOLD FLASH.
2. MOLD FLASH OR PROTRUSIONS NOT TO EXCEED 0.15mm (.006").
3. LEADS TO BE COPLANAR WITHIN 0.10mm (.004").
4. CONTROLLING DIMENSION: MILLIMETERS.
5. MEETS JEDEC MS012.
6. N = NUMBER OF PINS.

<b>DALLAS SEMICONDUCTOR</b>		<b>MAXIM</b>	
<small>PROPRIETARY INFORMATION</small>			
TITLE: PACKAGE OUTLINE, .150" SOIC			
APPROVAL	DOCUMENT CONTROL NO. 21-0041	REV. B	1/1

# Low-Voltage, CMOS Analog Multiplexers/Switches

## Package Information (continued)

(The package drawing(s) in this data sheet may not reflect the most current specifications. For the latest package outline information go to [www.maxim-ic.com/packages](http://www.maxim-ic.com/packages).)

DIM	INCHES		MILLIMETERS	
	MIN	MAX	MIN	MAX
A	.053	.069	1.35	1.75
A1	.004	.010	.102	.254
A2	.049	.065	1.245	1.651
B	.008	.012	0.20	0.30
C	.0075	.0098	0.191	0.249
D	SEE VARIATIONS			
E	.150	.157	3.81	3.99
e	.025 BSC		0.635 BSC	
H	.230	.244	5.84	6.20
h	.010	.016	0.25	0.41
L	.016	.035	0.41	0.89
N	SEE VARIATIONS			
α	0°	B°	0°	B°

DIM	INCHES		MILLIMETERS		N
	MIN.	MAX.	MIN.	MAX.	
D	.189	.196	4.80	4.98	16 AB
S	.0020	.0070	0.05	0.18	
D	.337	.344	8.56	8.74	20 AD
S	.0500	.0550	1.270	1.397	
D	.337	.344	8.56	8.74	24 AE
S	.0250	.0300	0.635	0.762	
D	.386	.393	9.80	9.98	28 AF
S	.0250	.0300	0.635	0.762	

NOTES:

- 1). D & E DO NOT INCLUDE MOLD FLASH OR PROTRUSIONS.
- 2). MOLD FLASH OR PROTRUSIONS NOT TO EXCEED .006" PER SIDE.
- 3). CONTROLLING DIMENSIONS: INCHES.
- 4). MEETS JEDEC MO137.

PROPRIETARY INFORMATION

TITLE:  
PACKAGE OUTLINE, QSOP .150", .025" LEAD PITCH

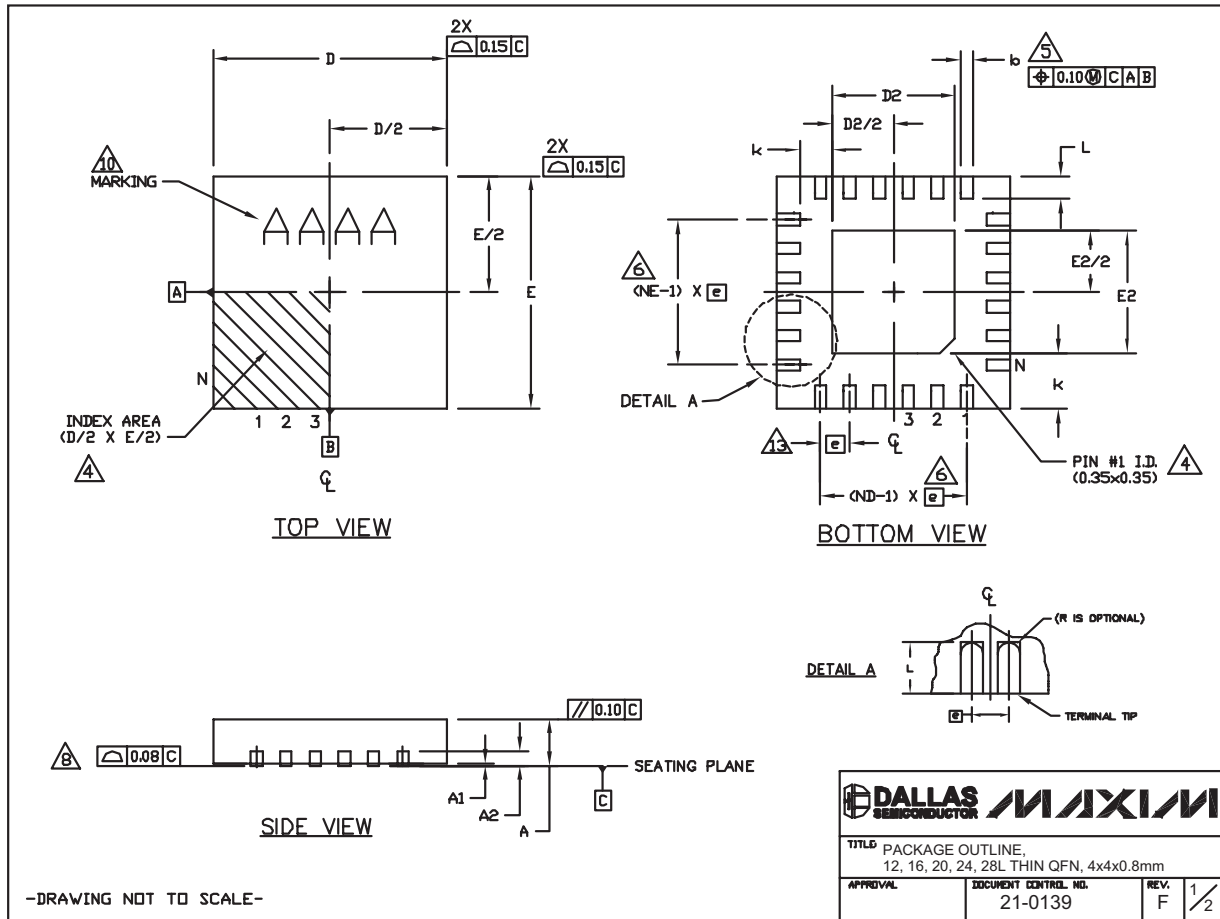
APPROVAL	DOCUMENT CONTROL NO. 21-0055	REV. F	1/1
----------	---------------------------------	-----------	-----

QSOP.EPS

# Low-Voltage, CMOS Analog Multiplexers/Switches

## Package Information (continued)

(The package drawing(s) in this data sheet may not reflect the most current specifications. For the latest package outline information go to [www.maxim-ic.com/packages](http://www.maxim-ic.com/packages).)



MAX4581L/MAX4582L/MAX4583L

# Low-Voltage, CMOS Analog Multiplexers/Switches

## Package Information (continued)

(The package drawing(s) in this data sheet may not reflect the most current specifications. For the latest package outline information go to [www.maxim-ic.com/packages](http://www.maxim-ic.com/packages).)

COMMON DIMENSIONS															
PKG REF.	12L 4x4			16L 4x4			20L 4x4			24L 4x4			28L 4x4		
	MIN.	NOM.	MAX.	MIN.	NOM.	MAX.	MIN.	NOM.	MAX.	MIN.	NOM.	MAX.	MIN.	NOM.	MAX.
A	0.70	0.75	0.80	0.70	0.75	0.80	0.70	0.75	0.80	0.70	0.75	0.80	0.70	0.75	0.80
A1	0.0	0.02	0.05	0.0	0.02	0.05	0.0	0.02	0.05	0.0	0.02	0.05	0.0	0.02	0.05
A2	0.20 REF			0.20 REF			0.20 REF			0.20 REF			0.20 REF		
b	0.25	0.30	0.35	0.25	0.30	0.35	0.20	0.25	0.30	0.18	0.23	0.30	0.15	0.20	0.25
D	3.90	4.00	4.10	3.90	4.00	4.10	3.90	4.00	4.10	3.90	4.00	4.10	3.90	4.00	4.10
E	3.90	4.00	4.10	3.90	4.00	4.10	3.90	4.00	4.10	3.90	4.00	4.10	3.90	4.00	4.10
e	0.80 BSC.			0.65 BSC.			0.50 BSC.			0.50 BSC.			0.40 BSC.		
k	0.25	-	-	0.25	-	-	0.25	-	-	0.25	-	-	0.25	-	-
L	0.45	0.55	0.65	0.45	0.55	0.65	0.45	0.55	0.65	0.30	0.40	0.50	0.30	0.40	0.50
N	12			16			20			24			28		
ND	3			4			5			6			7		
NE	3			4			5			6			7		
JeDEC Var.	VGGB			VGGC			WGGD-1			WGGD-2			WGGE		

EXPOSED PAD VARIATIONS						
PKG CODES	D2			E2		
	MIN.	NOM.	MAX.	MIN.	NOM.	MAX.
T1244-3	1.95	2.10	2.25	1.95	2.10	2.25
T1244-4	1.95	2.10	2.25	1.95	2.10	2.25
T1644-3	1.95	2.10	2.25	1.95	2.10	2.25
T1644-4	1.95	2.10	2.25	1.95	2.10	2.25
T2044-2	1.95	2.10	2.25	1.95	2.10	2.25
T2044-3	1.95	2.10	2.25	1.95	2.10	2.25
T2444-2	1.95	2.10	2.25	1.95	2.10	2.25
T2444-3	2.45	2.60	2.63	2.45	2.60	2.63
T2444-4	2.45	2.60	2.63	2.45	2.60	2.63
T2844-1	2.50	2.60	2.70	2.50	2.60	2.70

**NOTES:**

- DIMENSIONING & TOLERANCING CONFORM TO ASME Y14.5M-1994.
- ALL DIMENSIONS ARE IN MILLIMETERS. ANGLES ARE IN DEGREES.
- N IS THE TOTAL NUMBER OF TERMINALS.
- THE TERMINAL #1 IDENTIFIER AND TERMINAL NUMBERING CONVENTION SHALL CONFORM TO JESD 95-1 SPP-012. DETAILS OF TERMINAL #1 IDENTIFIER ARE OPTIONAL, BUT MUST BE LOCATED WITHIN THE ZONE INDICATED. THE TERMINAL #1 IDENTIFIER MAY BE EITHER A MOLD OR MARKED FEATURE.
- DIMENSION b APPLIES TO METALLIZED TERMINAL AND IS MEASURED BETWEEN 0.25mm AND 0.30mm FROM TERMINAL TIP.
- ND AND NE REFER TO THE NUMBER OF TERMINALS ON EACH D AND E SIDE RESPECTIVELY.
- DEPOPULATION IS POSSIBLE IN A SYMMETRICAL FASHION.
- COPLANARITY APPLIES TO THE EXPOSED HEAT SINK SLUG AS WELL AS THE TERMINALS.
- DRAWING CONFORMS TO JEDEC MO220, EXCEPT FOR T2444-3, T2444-4 AND T2844-1.
- MARKING IS FOR PACKAGE ORIENTATION REFERENCE ONLY.
- COPLANARITY SHALL NOT EXCEED 0.08mm.
- WARPAGE SHALL NOT EXCEED 0.10mm.
- LEAD CENTERLINES TO BE AT TRUE POSITION AS DEFINED BY BASIC DIMENSION 'e', ±0.05.
- NUMBER OF LEADS SHOWN ARE FOR REFERENCE ONLY.
- ALL DIMENSIONS ARE THE SAME FOR LEADED & PbFREE PARTS.

-DRAWING NOT TO SCALE-

TITLE PACKAGE OUTLINE, 12, 16, 20, 24, 28L THIN QFN, 4x4x0.8mm		
APPROVAL	DOCUMENT CONTROL NO. 21-0139	REV. F 2/2

Maxim cannot assume responsibility for use of any circuitry other than circuitry entirely embodied in a Maxim product. No circuit patent licenses are implied. Maxim reserves the right to change the circuitry and specifications without notice at any time.

16 **Maxim Integrated Products, 120 San Gabriel Drive, Sunnyvale, CA 94086 408-737-7600**